



AMP® Low Voltage Landscape Lighting G2 PuckPro Led Hardscape- AHS-70XX

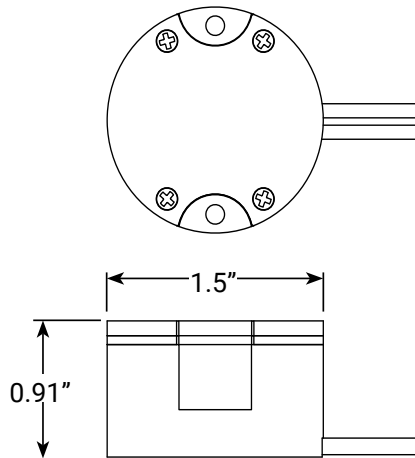
PRODUCT DESCRIPTION

This compact puck light provides lighting solutions to a wide variety of needs. Delivering 116 lumens of a warm 2700K glow, this puck light is perfect for being surface mounted or recessed under benches, railings, or overhangs; core-drilled into decks, steps, or hardscapes for a clean, integrated look; or installed as an uplight solution in planters and gardens for small bushes.

Customize clients' experience with three (3) interchangeable lenses (included) -- clear, frosted, and diffused or a choice of four (4) different glare guards to direct lighting and protect from unwanted glare.



PRODUCT DIMENSIONS



FEATURES & BENEFITS

- ▶ Solid Brass Construction.
- ▶ Pre-aged finish; no powder coating, paint or finish to wear off or peel—just natural patina that does not corrode.
- ▶ IP67 rating ensures protection against dust, water, and temporary immersion up to 1 meter (3 ft. 3 in.)
- ▶ Can be installed in a variety of applications: surface mounted, 1.5" core-drilled, recessed, installed as a downlight or uplight application.
- ▶ Glare guards (sold separately) available for directing light and glare control: Beacon | Grated | Shielded | Turret Top

SPECIFICATIONS

- ▶ Construction: Brass
- ▶ Finish: Bronze
- ▶ Lead Wire: 18AWG
- ▶ Watts: 1W
- ▶ Lumens: 116lm
- ▶ CCT: 2700K
- ▶ Lens: Clear, frosted or diffused
- ▶ Light Source: Integrated
- ▶ Operating Voltage: 12VAC
- ▶ Powered by: AMP's Low Voltage Transformer

WARRANTY

Lifetime Warranty

CERTIFICATIONS



File #E466348



File #E466348