



# AMP® Low Voltage Landscape Lighting G2 PuckPro Super Led Hardscape- AHS-70XX

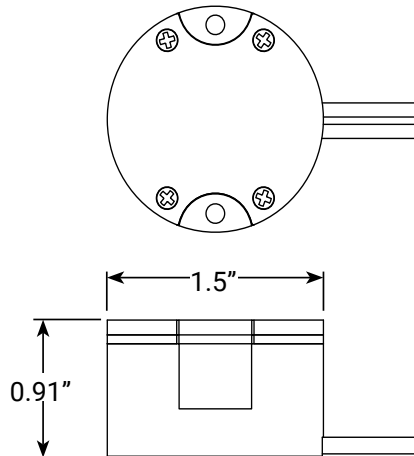
## PRODUCT DESCRIPTION

With its impressive 330-lumen output, the ever-versatile PuckPro Super LED brass puck light offers a combination of power and functionality for a range of applications. Surface mount, recess, or use as a downlight or uplight to meet any client’s needs. Brighten walkways, highlight architectural features, or create dramatic lighting effects with its 330 lumens of a warm 2700K glow.

Built to last, this puck light was crafted with a solid brass construction and a pre-aged bronze finish to ensure long-lasting durability. With an IP67 rating, this puck light is guaranteed protection from dust, water, and even temporary immersion up to 1 meter (3 ft. 3 in.). Customize clients’ experience with three (3) interchangeable lenses (included) -- clear, frosted, and diffused or a choice of four (4) different glare guards to direct lighting and protect from unwanted glare.



## PRODUCT DIMENSIONS



## WARRANTY

Lifetime Warranty

## SPECIFICATIONS

- ▶ Construction: Brass
- ▶ Finish: Bronze
- ▶ Lead Wire: 18AWG
- ▶ Watts: 3W
- ▶ Lumens: 330lm
- ▶ CCT: 2700K
- ▶ Lens: Clear, frosted or diffused
- ▶ Light Source Integrated
- ▶ Operating Voltage: 12VAC
- ▶ Powered by: AMP’s Low Voltage Transformer

## FEATURES & BENEFITS

- ▶ Solid Brass Construction.
- ▶ Pre-aged finish; no powder coating, paint or finish to wear off or peel—just natural patina that does not corrode.
- ▶ IP67 rating ensures protection against dust, water, and temporary immersion up to 1 meter (3 ft. 3 in.)
- ▶ Can be installed in a variety of applications: surface mounted, 1.5" core-drilled, recessed, installed as a downlight or uplight application.
- ▶ Glare guards (sold separately) available for directing light and glare control: Beacon | Grated | Shielded | Turret Top

## CERTIFICATIONS



File #E466348



File #E466348