



AMP® Low Voltage Landscape Lighting

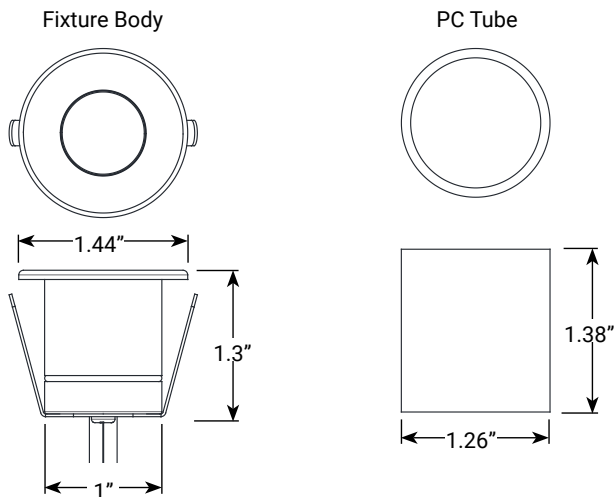
Micro Dot LED Light- AHS-7022

PRODUCT DESCRIPTION

Made from solid brass with a pre-aged bronze finish, the 2700K Micro Dot light is built for long-lasting durability. Its ultra-low profile design provides a subtle, diffused glow, making it ideal for low-light applications such as decks, steps, and floors.



PRODUCT DIMENSIONS



SPECIFICATIONS

- ▶ **Construction:** Brass
- ▶ **Finish:** Bronze
- ▶ **Lead Wire:** 18AWG
- ▶ **Lens:** Frosted
- ▶ **Light Source:** Integrated
- ▶ **Operating Voltage:** 12VAC
- ▶ **Powered by:** AMP's Low Voltage Transformer

WARRANTY

Lifetime Warranty

CERTIFICATIONS



FEATURES & BENEFITS

- ▶ Solid Brass Construction.
- ▶ 27K integrated LED light source designed for subtle indication lighting. Beryllium copper socket – more corrosion resistant than copper.
- ▶ Frosted lens provides a more soft, diffused light.
- ▶ Load-tested for drive over rating (residential-only vehicles)