



AMP® Low Voltage Landscape Lighting

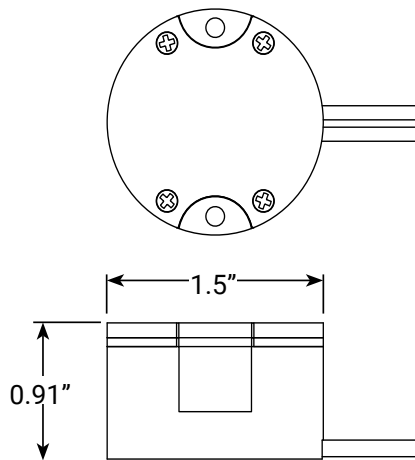
G2 PuckPro Led Hardscape- AHS-7026

PRODUCT DESCRIPTION

Our solid brass puck light with beacon glare guard delivers focused, directional illumination. Featuring advanced RGBCW LEDs, this versatile fixture offers a wide spectrum of color temperatures and vibrant hues. Select from warm 2200K (161.1lm), neutral 2700K (177.7lm), or bright 4000K (209lm) white light, or explore creative options with red (95lm), green (150lm), and blue (35lm) output. Control color, brightness, and even create custom zones with the RF remote (sold separately). Ideal for pathways, driveways, and garden borders, the beacon design creates a defined light path. Our puck light's memory function retains color and zone settings after power outages, ensuring consistent illumination.



PRODUCT DIMENSIONS



FEATURES & BENEFITS

- ▶ Solid Brass Construction.
- ▶ Pre-aged finish; no powder coating, paint or finish to wear off or peel—just natural patina that does not corrode.
- ▶ IP67 rating ensures protection against dust, water, and temporary immersion up to 1 meter (3 ft. 3 in.)
- ▶ Can be installed in a variety of applications: surface mounted, 1.5" core-drilled, recessed, installed as a downlight or uplight application.
- ▶ Glare guards (sold separately) available for directing light and glare control: Beacon | Grated | Shielded | Turret Top

SPECIFICATIONS

- ▶ **Construction:** Brass
- ▶ **Finish:** Bronze
- ▶ **Lead Wire:** 18AWG
- ▶ **Watts:** 4W
- ▶ **Lens:** Clear, frosted or diffused
- ▶ **Light Source:** Integrated
- ▶ **Operating Voltage:** 12VAC
- ▶ **Powered by:** AMP's Low Voltage Transformer

WARRANTY

Lifetime Warranty

CERTIFICATIONS



File #E466348



File #E466348