



AMP® Low Voltage Landscape Lighting

Stemless Brass Bronze Directional Path Light- APL-3037

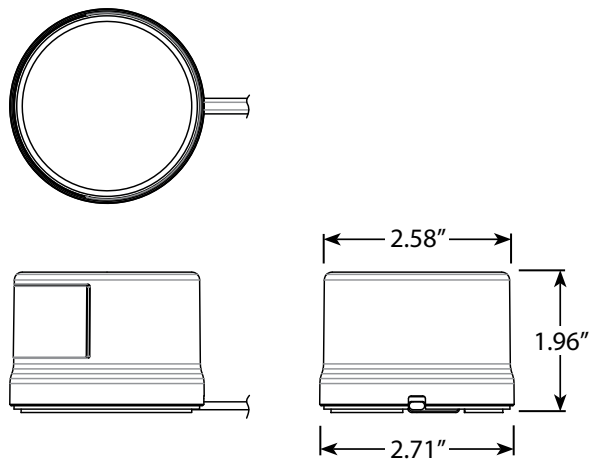
PRODUCT DESCRIPTION

Illuminate pathways like never before with the AMP® Stemless Brass Bronze Path Light, which casts an impressive 130° of light output. Experience wide coverage and enhanced visibility, allowing you to guide visitors and accentuate the beauty of outdoor spaces with exceptional clarity. The ceramic white interior of this path light reflects light, maximizing output and beam spread. Enjoy a brilliant and uniform glow that transforms landscapes into captivating works of art. Create breathtaking lighting displays that leave a lasting impression on your clients.

Engineered with cast brass construction and adorned with a timeless bronze finish, this path light embodies both durability and elegance. It withstands the test of time, ensuring long-lasting performance and enduring beauty in any environment.



PRODUCT DIMENSIONS



FEATURES & BENEFITS

- ▶ Solid Brass Construction.
- ▶ Pre-aged finish; natural patina that does not corrode.
- ▶ Beryllium copper socket – more corrosion resistant than copper.
- ▶ Ceramic white interior reflects light to maximize output and beam spread.
- ▶ Machine threaded body screws tight onto an O-ring for a moisture tight design.

SPECIFICATIONS

- ▶ **Construction:** Brass
- ▶ **Finish:** Bronze
- ▶ **Lead Wire:** 18AWG
- ▶ **Mounting:** 9" PVC Stake or Surface Mount (bracket included)
- ▶ **Lens:** Frosted
- ▶ **Light Source (not included):** Bi-Pin (LED or Halogen)
- ▶ **Operating Voltage:** 12VAC
- ▶ **Powered by:** AMP's Low Voltage Transformer

WARRANTY

Lifetime Warranty

CERTIFICATIONS

