

PRODUCT NAME: Modern Area Light with Arm Mount

SKU: ASA-4301-90S-UNV- S-AM-TX-A-XX

The Modern Area Light is a compact site lighting solution delivering up to 13,000 lumens with an Arm Mount option for direct mounting to square or round poles. Constructed of die-cast aluminum with a high-end marine grade polyester powder coat finish, this reliable series is built to last. Excellent for parking lots, side of building illumination, sports applications and other areas requiring safety and security. It is equipped with a selectable wattage and CCT. The selectable wattage and CCT allows for in field customization to ensure proper illumination for the space. See website for slipfitter and trunnion mount options.



Features & Benefits

Durable die-cast aluminum construction with a corrosion resistant textured finish.

Selectable lumens via a covered switch location on the luminaire - Provides several lumen options 6,000/9,000/12,000/13,000 lumens at 40W/60W/80W/90W.

Selectable CCT (correlated color temperature) - allow users to adjust the color temperature of the light output from warm white (3000K) to cool white (4000K) to daylight (5000K).

Universal voltage 120-277V for compatibility with residential and commercial applications.

IP66 Rated and sealed with a silicone gasket for demanding outdoor environments. Suitable for wet locations.

NEMA 3-pin twist-lock photocell supplied, 0-10V dimming standard

Available with a Type III, IV and V optic system.

5-Year warranty

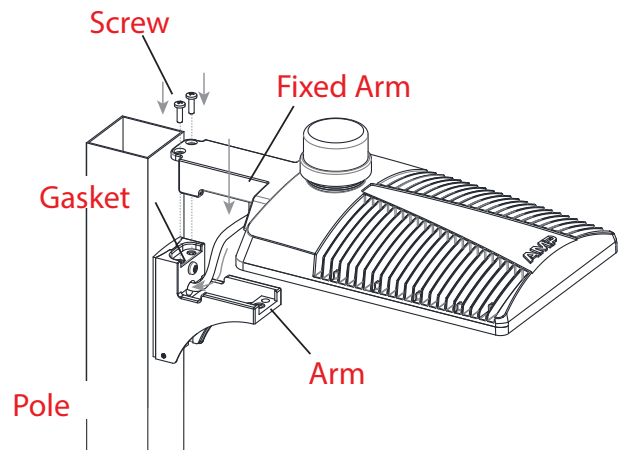
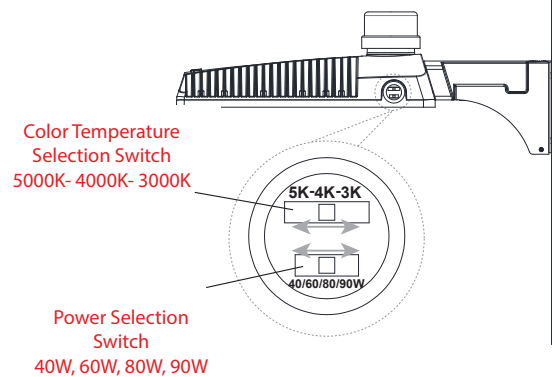
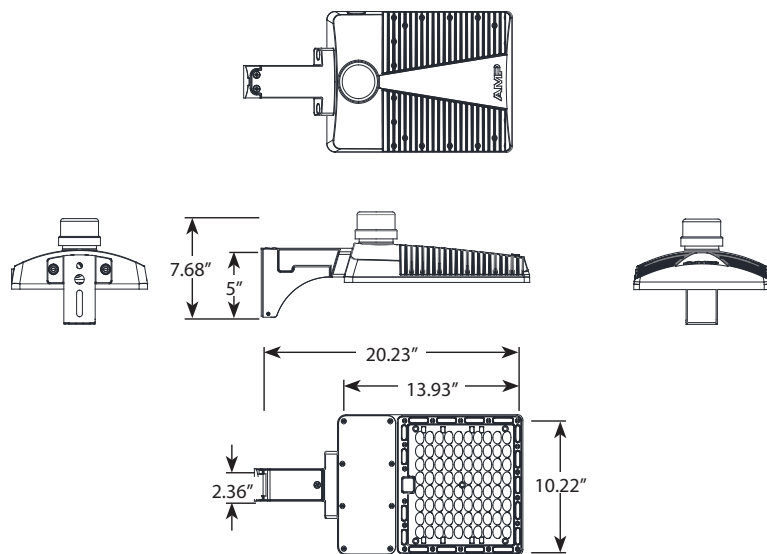


Ordering Information

Example: ASA-4301-90S-UNV- S-AM-TX-A-XX

Product	Wattage/ Lm	Voltage	CCT	Mounting	Distribution	Material	Finish
ASA-4301	90S= 40/60/80/90W Selectable 6000,9000,12000,13000 Lm	UNV= 120-277V	S= 3/4/5K Selectable	AM= Arm Mount	T3=Type III distribution	A= Aluminum	BZ= Bronze BK= Black
					T4=Type IV distribution		
					T5=Type V distribution		

Product Dimensions



Product Specifications

Construction

Rugged die-cast aluminum housing with heat dissipating fins for optimal thermal management improved LED performance and extended component life.

Clear UV and impact resistant polycarbonate lens for uniform light distribution and eliminates pixelation.

Silicone gasketed for a durable, watertight seal that helps prevent moisture, dust, and other contaminants from entering.

Premium precision engineered optics deliver Type III, IV and V distribution.

Compliance

UL Certified

IP66 Rated, suitable for wet locations.

Dark Sky friendly (or Zero uplight) when mounted at 0 degrees.

LM-79 Photometric testing in accordance with IES LM-79-08.

B.U.G. rating is B3-U0-G2

Mounting

Mounting arm features an easy access for through wiring to the interior of the pole for connection with supply wires.

Mounting Arm with decorative cover mounts to a 4" - 6" square or round pole or other flat surfaces. Supplied with gasket for adaption to flat surfaces.

Electrical

Universal voltage 120-277V for compatibility with residential and commercial applications.

Long-life, high-efficacy LED light engine is mounted on an internal aluminum heat sink to promote thermal management and long life.

Selectable lumens via a covered switch located on the side of the luminaire. Lumen options include: 6,000/9,000/12,000/13,000 lumens at 40W/60W/80W/90W. Offering a choice between different light output levels (lumen levels) based on preferences or the needs of the application and mounting height.

Selectable CCT (correlated color temperature) - 3000K/4000K/5000K - allow users to adjust the color temperature of the light output from warm white (3000K) to cool white (4000K) to daylight (5000K).

Standard 4kV Surge Protection to protect against electrical surges.

80 CRI for true color rendition ensuring a realistic and natural perception of the illuminated environment.

Optimal operating temperature range of -40 degree C (-40 F) - 40 degree C (104 F).

Class 1 drivers provide >90% Power Factor and <20% THD.

Integrated Controls

NEMA 3-pin twist-lock photocell for dusk-to-dawn control.

Supplied with 0-10V dimming capability to control light levels.

Finish

High-end marine grade polyester powder coat paint. Electrostatically applied after 5-stage pre-treatment process including phosphate and passivation phases for additional corrosion resistance. The finish is rated per ASTM B117 for a minimum 1000-hour salt spray test.

Available in textured bronze and black.

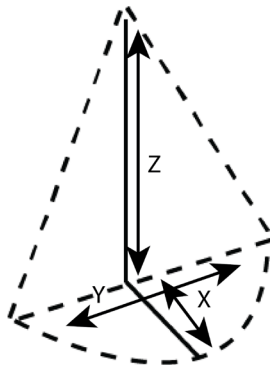
Warranty

5 year limited warranty. Consult www.amplighting.com for more details.

Photometrics for Type IV Optic

Nominal Wattage	CCT	Lumens	LPW	Amperage @120	Amperage @277	Legacy Equivalent
40W	3000	6231	158	.37A	.14A	150-175W HPS/MH
	4000	6427	165			
	5000	6520	163			
60W	3000	9050	152	.48A	.21A	250W HPS/MH
	4000	9496	163			
	5000	9539	158			
80W	3000	11522	147	.64A	.29A	400W HPS/MH
	4000	12184	160			
	5000	12068	152			
90W	3000	12675	144	.71A	.32A	400W HPS/MH
	4000	13502	158			
	5000	13260	148			

Suggested Mounting Height for Type IV Optic



Area Coverage

0.50 fc level at different mounting heights

Mounting Height (Z)			12'		16'		20'	
Product	Wattage	Lumens	X	Y	X	Y	X	Y
ASA-4301-90S	40W	6231	26'	60'	30'	68'	36'	70'
	60W	9050	28'	68'	34'	76'	38'	80'
	80W	11522	32'	72'	38'	80'	40'	90'
	90W	12675	34'	74'	40'	84'	42'	92'

Luminaire position is facing downwards. All data is based on 3000 CCT.

X= Forward Throw

Y= Wall Spread

Z= Mounting Height

EPA Recommendations for Type IV Optic

Luminaire	Mounting	Tilt	EPA
ASA-4301-90S-UNV-S-AM-T4-A-BX	Arm	0°	0.8