

PRODUCT SPECIFICATIONS

AMP®

Project Name _____ Date _____

Type or Model _____ Qty _____

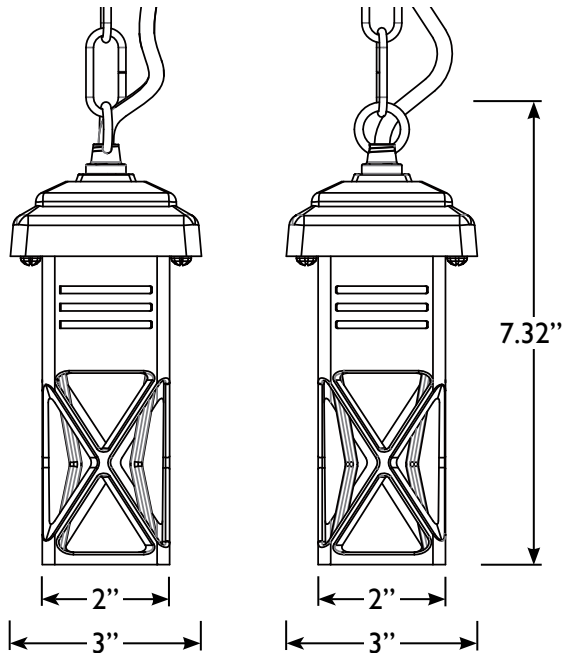
AMP® Low Voltage Landscape Lighting

LocketPro Mini Hanging Light (Lamp-Ready)- ASI-9007-4036-B-BZ

Product Description

AMP's mini hanging light is ideal for illuminating smaller outdoor spaces where a compact, discreet fixture is desired. This fixture illuminates a circular spot directly beneath the fixture and simultaneously produces a beautiful, decorative pattern around this spot; similar to that of the light produced by the AerialistPro & Estate PendantPro hanging lights. Designed for use with AMP's Bi-Pin LED Puck Lights ONLY. The bi-pin style puck lights can be tightly secured to the socket via the included screws, which prevents the light source from potentially being knocked out during operation. Constructed of solid brass to last a lifetime and backed by a Hassle-Free Lifetime Warranty.

Product Dimensions



Specifications

- **Construction:** Brass
- **Finish:** Bronze
- **Lead Wire:** 18AWG
- **Light Source (not included):** Bi-Pin LED Puck Lights
- **Operating Voltage:** 12VAC
- **Powered by:** AMP's Low Voltage Transformer

Warranty

Lifetime Warranty

Certifications



Features & Benefits

- Produces a decorative light pattern when lit.
- Pre-aged finish; no powder coating, paint or finish to wear off or peel—just natural patina that does not corrode
- 36" brass chain and a cast brass mounting bracket for secure attachment
- Pressure rubber gasket for a moisture tight design
- Tri mount for easy installation.