



AMP® Low Voltage Landscape Lighting

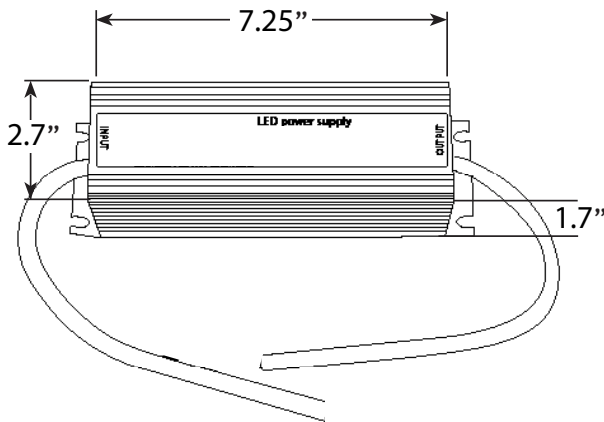
AMP® 100W Inline Power Converter w/ Plug (120V to 12V) - **ATR-100-ARA1**

PRODUCT DESCRIPTION

The AMP® Inline Power Converter is designed for creating a low-voltage power source option in outdoor areas with an existing grounded power outlet. Designed for input voltage ranges of 100V-277V, this device simply wires plugs into an existing grounded power outlet and outputs 12V for low-voltage applications. The compact size and simple surface mounting make this converter ideal for applications where a low-profile option is preferred compared to a traditional low-voltage transformer (areas such as outdoor kitchens, decks, or docks). Compatible with all AMP low voltage (12V) fixture



PRODUCT DIMENSIONS



FEATURES & BENEFITS

- ▶ UL and cUL Recognized
- ▶ Class 2 Power Supply
- ▶ Ideal for remote locations or locations where 120V power lines already exist
- ▶ There is a 120V plug on one end and bare wire on the other
- ▶ Aluminum casing that is suitable for wet locations (IP67)
- ▶ Compact size is ideal for low profile applications

SPECIFICATIONS

- ▶ **Housing:** Aluminum Casing
- ▶ **Input Voltage:** 100-277V 50/60Hz 2.5A
- ▶ **Output Voltage:** 12V 8.34A
- ▶ **Maximum Wattage:** 100W

WARRANTY

5-Year Warranty

CERTIFICATIONS

