



AMP® Low Voltage Transformers

Multi-Tap Transformers

Product Description

The low voltage transformer is at the heart of every landscape lighting system. It converts the 120 volt current to a low voltage current (between 12 & 15 VAC). The efficiency of this conversion determines how well the transformer controls the voltage output, and how much energy is consumed in the process.

AMP® transformers are the most efficient multi-tap low voltage transformers in the industry, providing high performance and energy savings. With high quality toroidal cores and robust wiring and internal components, these transformers provide a highly stable source of current with very low energy consumption. Use of AMP transformers ensure that the low voltage landscape lighting system runs at optimal efficiency for a lifetime of operation.



Specifications

- ▶ **Housing:** Non-brushed 304 stainless steel with removable cover
- ▶ **Power Cord:** 60" black 18AWG SJTW cord and plug set
- ▶ **Input Voltage:** 120V
- ▶ **Voltage Taps:**
 - All models (except 75W): 12VAC, 13VAC, 14VAC, 15VAC
 - 75W model: 12VAC, 15VAC
- ▶ **Primary Circuit Protection:** Automatic (auto reset) thermal breaker in core
- ▶ **Secondary Circuit Protection:**
 - (1) 25A magnetic circuit breaker (75W, 300W)
 - (2) 25A magnetic circuit breakers (600W)
 - (3) 25A magnetic circuit breakers (900W)
 - (4) 25A magnetic circuit breakers (1200W)

Certifications



LISTED File # E466348

Features & Benefits

- ▶ Highly efficient toroidal core* - runs cooler, generates less noise, with less voltage loss under load.
- ▶ Unique color-coded wire markers for easy maintenance and troubleshooting.
- ▶ Extra-large 12V to 15V taps (UL 1838 listed) - to accommodate landscape lighting systems of any size.
- ▶ Available in 75W, 300W, 600W, 900W & 1200W capacities.
- ▶ Stainless steel body with hinged lid.
- ▶ 75W includes a built-in mechanical timer and receptacle for photocell.
- ▶ 300W, 600W, 900W and 1200W include a photocell and timer receptacle.
- ▶ Magnetic circuit breakers; auto reset integrated thermal breaker (in core).
- ▶ Listed for both indoor and outdoor use.

*75W model has high quality EI-type core

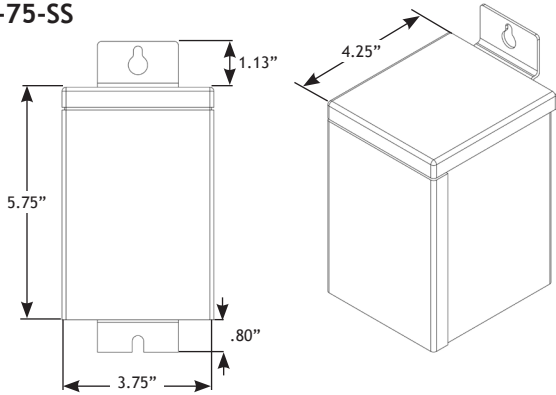
Warranty

Lifetime Warranty

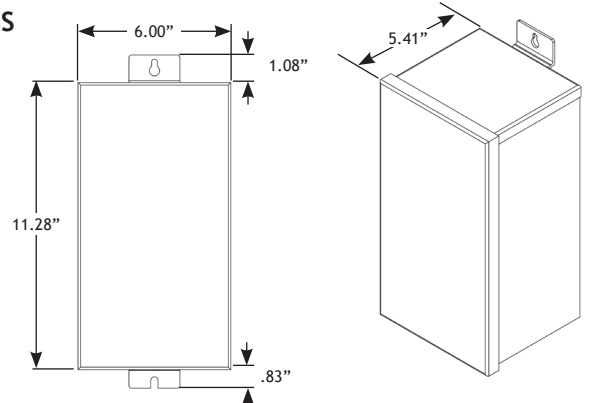
Specifications subject to change without notice.

Product Dimensions

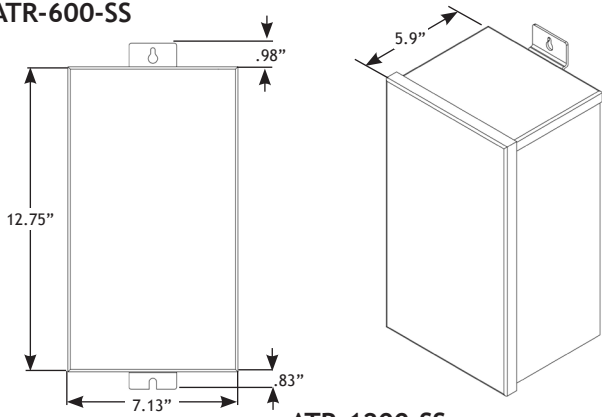
ATR-75-SS



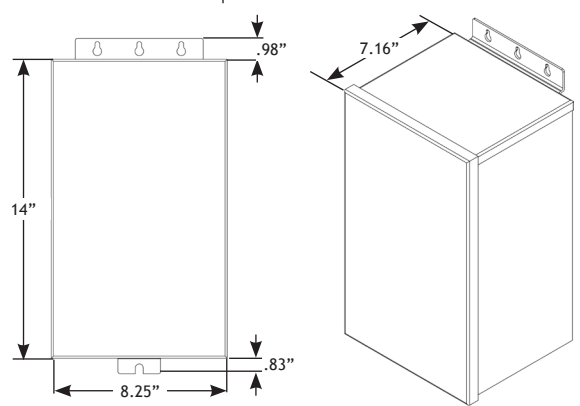
ATR-300-SS



ATR-600-SS



ATR-900-SS



ATR-1200-SS

