



AMP® Low Voltage Landscape Lighting Nano LED Well Light-AWL- 5013

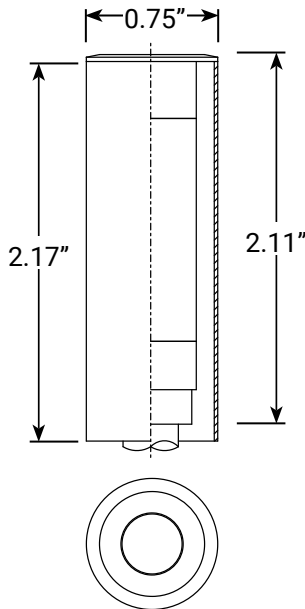
PRODUCT DESCRIPTION

Introducing the AMP® Nano LED Well Light (Integrated), our most compact yet powerful addition to the Nano lineup. This discreet fixture seamlessly blends into planters and other applications while delivering an impressive 80 lumens of a warm 2700K glow.

Crafted from solid brass with a pre-aged bronze finish and boasting a waterproof (IP68) rating, it stands strong against the elements, ensuring durability. Its precise 35° beam angle is ideal for uplighting specific features such as columns, beams, trees, and more. Complete with an integrated LED and 18AWG wire for effortless installation, the AMP® Nano well light is the ultimate solution for integrating subtle yet impactful illumination into any outdoor space.



PRODUCT DIMENSIONS



FEATURES & BENEFITS

- ▶ Sheet Brass Construction.
- ▶ IP68 rating to withstand dust and water submersion (up to 13 ft.)
- ▶ Integrated LED requires no bulb changes
- ▶ Pre-aged bronze finish over solid brass construction.
- ▶ 35° beam angle
- ▶ PVC sleeve included for added protection

SPECIFICATIONS

- ▶ Construction: Brass
- ▶ Finish: Bronze
- ▶ Lead Wire: 18AWG
- ▶ Lens: Clear
- ▶ Lumens: 80lm
- ▶ CCT: 2700K
- ▶ Light Source Integrated
- ▶ Operating Voltage: 12VAC
- ▶ Powered by: AMP's Low Voltage Transformer

WARRANTY

Lifetime Warranty

CERTIFICATIONS

