



# AMP® Low Voltage Landscape Lighting

## AMP® InsetPro™ & AMP® ONE InsetPro™ LED In-Grade Lights

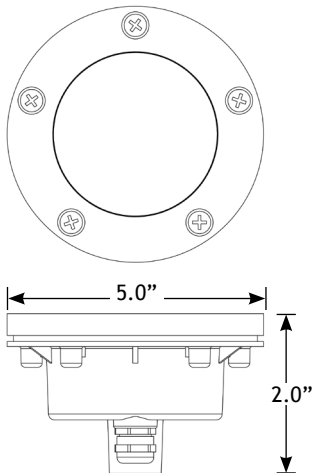
### Product Description

The AMP® InsetPro™ LED In-Grade lights are an elegant solid cast brass fixture, designed to be installed flush with the ground or hardscape surface. The low-profile body features a threaded connector that can be attached to a stake (included). There are three styles - one with a clear flat lens, one with a clear flat lens covered with a brass grate; and the third option, with a clear flat lens and glare guard. An option for all three is a decorative brass ring that extends the fixture face to seven inches, creating a sleek flush-mount profile. Available in a non-dimmable version (AMP® InsetPro) as well as a dimmable version (AMP® ONE InsetPro) which utilizes IR dimming technology.

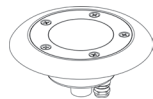


The integrated LED light source can be angled for desired aiming. Interchangeable lenses allow the designer to select one of two beam angles (35° and 60°). The 60° lens comes installed and the 35° is sold separately (constant output version) or included in the box (IR-Dimmable version).

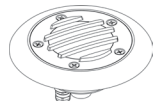
### Product Dimensions



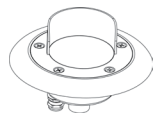
In-Grade Open \*



In-Grade Grated \*



In-Grade Shielded \*



\* shown with optional trim ring

### Features & Benefits

- ▶ Solid Cast Brass Construction
  - Resistant to corrosion
  - Will not break or bend
  - Weathers to a beautiful patina
- ▶ Fully encapsulated, pressure fit lens is held in place with five stainless steel screws
- ▶ Ships with 1/2" brass pipe nipple, which attaches to ground stake
- ▶ High Performance LED Chips and Engine
  - USA-made high performance Cree® LED's and USA-made AMP® engineered boards and drivers
- ▶ Adjustable Light Source with Interchangeable Optics
  - Light source rotates 15° and is secured by locking screw
  - Ships with 60° (installed) and 35° optic is sold separately (constant output version) or included in the box (IR-Dimmable version).
- ▶ Waterproof Wire Gland where Lead Wires Exit Fixture
  - Prevents ground moisture and insects from entering fixture
- ▶ Conformally Coated Circuit Board
  - Added moisture protection for electronic components



# AMP® Low Voltage Landscape Lighting

## AMP® InsetPro™ & AMP® ONE InsetPro™ LED In-Grade Lights

### Specifications

- ▶ **Housing:** Cast brass
- ▶ **Finish:** Antique bronze
- ▶ **Lead Wire:** 25' UL approved 18AWG, 2 conductor SJTW wire
- ▶ **Light Source:** Integrated LED
- ▶ **Lens:** Clear, flat glass
- ▶ **Beam Spread:** Ships with 60° (installed)
- ▶ **Color Temperature (CCT):** 2700K
- ▶ **Color Rendering Index (CRI):** 80+
- ▶ **Life:** 60,000 hr L70
- ▶ **Operating Voltage Range:** 8-15V
- ▶ **Watts (W):** 7
- ▶ **Efficacy (LPW):** 54
- ▶ **Amps (A):** 0.79
- ▶ **Power Factor (PF):** 0.77
- ▶ **Volt Amps (VA):** 9.1
- ▶ **Powered by:** AMP® low voltage transformers

### Dimming (Optional)

Light levels for the AMP® One InsetPro™ LED In-Grade lights are adjusted with the AMP® One Design-Master™ Remote Control. Each fixture can be controlled independently to six preset levels or fine-tuned to the exact desired level.

### Warranty

Unconditional Lifetime Warranty

### Certifications



LISTED File # E466348

Item Number	Product Name	Max Lumens (lm)	Min Lumens (lm)*
AAL-1123-IR-BZ	AMP® One InsetPro™ LED In-Grade Light - Open	375	7
AAL-1133-IR-BZ	AMP® One InsetPro™ LED In-Grade Light - Shielded	300	6
AAL-1136-IR-BZ	AMP® One InsetPro™ LED In-Grade Light - Grated	250	5

\* Lumen values variable as set by AMP® Design-Master™ Remote Control-Constant output fixtures are all set to max lumens level

### Accessories

Item Number	Description
AAC-1100-BK	AMP® One Design-Master™ Remote Control (only for use with Dimmable fixtures.)
WLR-5500-BZ	Solid Brass Trim Ring for Well Lights and In-Grade Lights (7" diameter)