

AMP SECURE

Cat. No

Notes

Types

PRODUCT NAME: Low Profile Wall Pack

SKU: AWP-4401-85S-UNV-S-A-XX

The AWP is an elevated version of the traditional wall pack design with a low profile housing for shallow depth off the mounting surface. Primary installation areas include commercial building exteriors for strip malls, schools, and delivery areas. AMP Secure's reimagined wall pack design includes selectable wattage and CCT for in field customization to ensure proper illumination for the space and various mounting heights. Industry leading standard features include universal voltage 120-277V, 4kV surge protection and 0-10V dimming. While the design is a classic, the AWP is the next generation.



Features & Benefits

Durable die-cast aluminum construction with a corrosion resistant textured finish.

Selectable lumens via a covered switch location on the luminaire - Provides several lumen options 4100/6500/9100/12000 lumens at 25W/45W/65W/85W.

Selectable CCT (correlated color temperature) - allow users to adjust the color temperature of the light output from warm white (3000K) to cool white (4000K) to daylight (5000K).

Universal voltage 120-277V for compatibility with residential and commercial applications.

IP66 Rated and sealed with a silicone gasket for demanding outdoor environments. Suitable for wet locations.

Integrated photocontrol for dusk to dawn operation, 0-10V dimming standard.

5-Year warranty

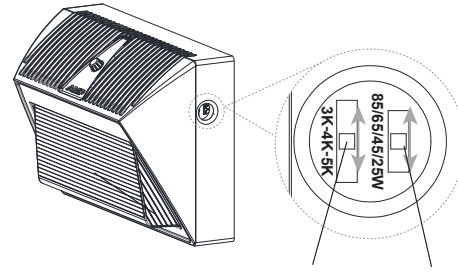
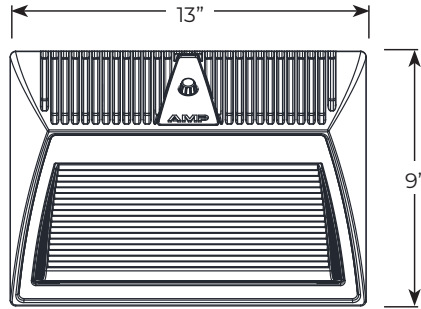
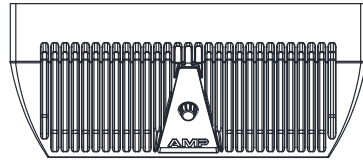
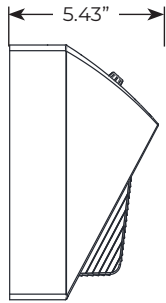


Ordering Information

Example: AWP-4401-85S-UNV-S-A-XX

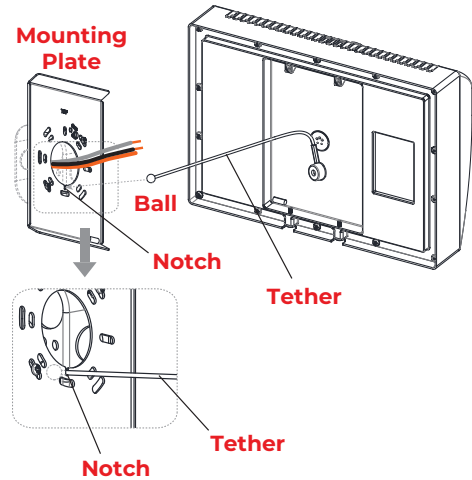
Product	Wattage	Voltage	Selectable	Material	Finish
AWP-4401	85S= Selectable, 25W/45W/65W/85W 4100/6500/9100/12000 lms	UNV= 120- 277V	S= 3/4/5K Selectable	A= Aluminum	BZ= Bronze BK= Black

Product Dimensions



Color Temperature Selection Switch
5000K- 4000K- 3000K

Power Selection Switch
25W, 45W, 65W, 85W



Product Specifications

Construction

Rugged die-cast aluminum housing with heat dissipating fins for optimal thermal management improved LED performance and extended component life.

Clear UV and impact resistant polycarbonate lens for uniform light distribution and eliminates pixelation.

Silicone gasketed for a durable, watertight seal that helps prevent moisture, dust, and other contaminants from entering.

Premium precision engineered optics deliver Type IV distribution.

Compliance

UL Certified

IP66 Rated, suitable for wet locations.

Dark Sky friendly (or Zero uplight) when mounted at 0 degrees.

LM-79 Photometric testing in accordance with IES LM-79-08.

Mounting

Provided with a universal mounting bracket suitable for junction box installation. Provided with neoprene gasket providing a seal to the junction box.

Bubble level and philips head screws ensure easy and repeatable level installation.

Easy-install mounting plate includes security tether, allowing for easy single person wiring.

Electrical

Universal voltage 120-277V for compatibility with residential and commercial applications.

Long-life, high-efficiency LED light engine is mounted on an internal aluminum heat sink to promote thermal management and long life.

Selectable wattage - 25W/45W/65W/85W - offers a choice between different light output levels (lumen levels) based on preferences or the needs of the application.

Selectable CCT (correlated color temperature) - 3000K/4000K/5000K - allow users to adjust the color temperature of the light output from warm white (3000K) to cool white (4000K) to daylight (5000K).

Default selectable settings are 85W and 4000K.

Standard 4kV Surge Protection to protect against electrical surges.

80 CRI for true color rendition ensuring a realistic and natural perception of the illuminated environment.

Optimal operating temperature range of -40 degree C (-40 F) - 40 degree C (104 F).

Class 1 drivers provide >90% Power Factor and <20% THD.

Integrated Controls

Integrated photocell for automated dusk to dawn control. Supplied with a clear cap for automated controls and a black cap to utilize a wall switch control.

Supplied with 0-10V dimming capability to control light levels.

Finish

High-end marine grade polyester powder coat paint. Electrostatically applied after 5-stage pre-treatment process including phosphate and passivation phases for additional corrosion resistance. The finish is rated per ASTM B117 for a minimum 1000-hour salt spray test.

Available in textured bronze and black.

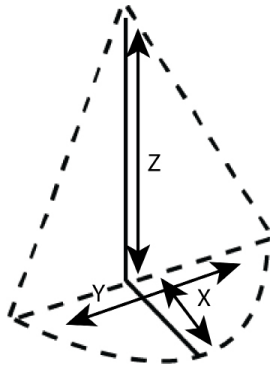
Warranty

5 year limited warranty. Consult www.amplighting.com for more details.

Photometrics

Nominal Wattage	CCT	Lumens	LPW	Amperage @120	Amperage @277	Legacy Equivalent
25W	3000	4061	141	.31A	.09A	50-100W HPS/MH
	4000	4073	143			
	5000	4231	146			
45W	3000	6229	140	.37A	.16A	150-175W HPS/MH
	4000	6316	144			
	5000	6513	145			
65W	3000	8725	137	.53A	.23A	250W HPS/MH
	4000	8953	143			
	5000	9101	141			
85W	3000	11182	132	.71A	.30A	400W HPS/MH
	4000	11595	140			
	5000	11674	137			

Suggested Mounting Height



Area Coverage

0.50 fc level at different mounting heights

Mounting Height (Z)			10'		20'		30'	
Product	Wattage	Lumens	X	Y	X	Y	X	Y
AWP-4401-85S	25W	4061	30'	32'	35'	40'	32'	34'
	45W	6229	36'	44'	40'	50'	46'	52'
	65W	8725	40'	48'	48'	56'	52'	60'
	85W	11182	44'	52'	54'	66'	56'	70'

Luminaire position is facing downwards. All data is based on 3000 CCT.

X= Forward Throw

Y= Wall Spread

Z= Mounting Height