



VOLT® Solar Landscape Lighting

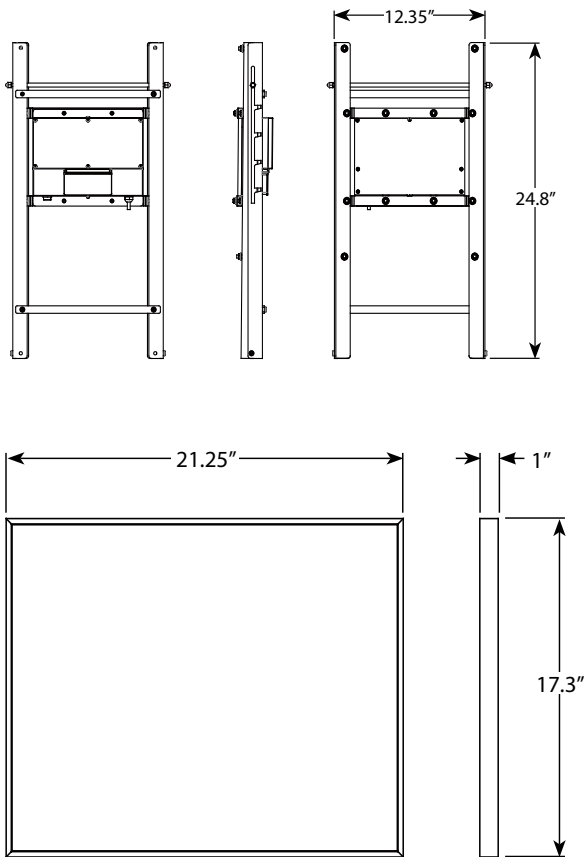
Solar Panel with Frame- VSAC-FRAME1-SBK/ VSAC-PANEL1-SBK

Product Description

This solar panel with the frame and the attached battery pack is designed specifically for VOLT® solar landscape lighting kits. With a full charge, this solar panel can provide 35W of electricity to power the lighting fixtures in your solar landscape lighting kit. The battery pack requires 8 hours of direct sunlight on a sunny day to fully-charge the (24) 18650 Li-ion batteries. The battery pack itself is attached to the stainless steel mounting frame used to mount and adjust the solar panel. The stainless steel mounting frame allows for easy mounting and convenient adjustability to maximize sun exposure. Programmable settings include: Auto (dusk to dawn), 4hrs, 6hrs, and 8hrs (on at dusk, off x hours later).



Product Dimensions



Solar Panel

Specifications

- ▶ Construction: 304 Stainless Steel
- ▶ Finish: Black
- ▶ Batteries: 24pcs 18650 Li-ion batteries, each 2200mAh
- ▶ Lead Wire: 18 AWG
- ▶ Output: 11.1v DC, 17.6Ah, 200Wh
- ▶ Charge Time: 8-12 hours of uninterrupted sunlight for full battery charge
- ▶ Operating Temperatures: -20°C to 40°C
- ▶ Watts: 35

Features & Benefits

- ▶ This Solar panel comes with 5 settings:
 - Off
 - Auto (dusk to dawn)
 - 4hrs (on at dusk, off 4hrs later)
 - 6hrs (on at dusk, off 6hrs later)
 - 8hrs (on at dusk, off 8hrs later)
- ▶ The frame has 5 adjustable angles from flat (0) to 60°
- ▶ IP65 Rating

Warranty

2 year Warranty on Batteries