

PRODUCT SPECIFICATIONS

Project Name _____ Date _____



Type or Model _____ Qty _____

VOLT® Low Voltage Landscape Lighting

VOLT® MR11 Decorative Rock Light- VAL-2050

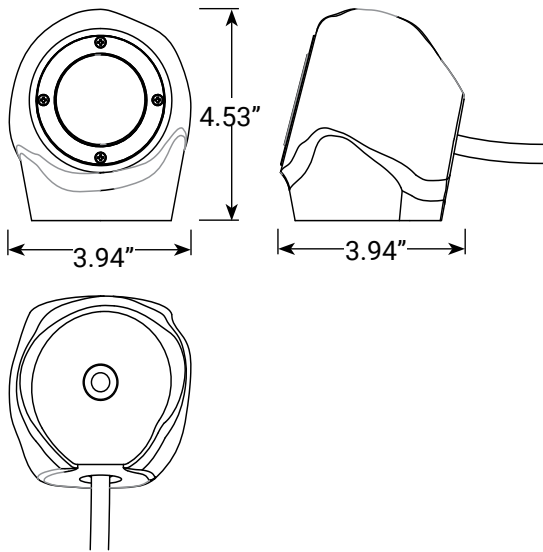
PRODUCT DESCRIPTION

Introducing our VOLT® MR11 Rock Light, a discreet up-light designed to mimic the appearance of a rock to seamlessly blend into your landscape. Utilizing the capabilities of an MR11 bulb, this rock light features a clear lens for focused and even illumination. Additionally, its adjustable internal gimbal provides the flexibility to direct the light precisely where needed.

Built to last, this rock light is crafted from a sturdy epoxy resin that was designed with various weather conditions in mind. The use of a replaceable MR11 bulb ensures convenient maintenance and long-lasting performance.



PRODUCT DIMENSIONS



FEATURES & BENEFITS

- Epoxy resin material and brass faceplate ensures long-lasting durability.
- Adjustable internal gimbal socket for directional precision aiming of the bulb.

SPECIFICATIONS

- **Construction:** Resin
- **Finish:** Grey
- **Lead Wire:** 18 AWG
- **Lens:** Clear flat
- **Light Source:** MR11
- **Operating Voltage:** 12VAC
- **Powered by:** VOLT's Low Voltage Transformer

WARRANTY

Lifetime Warranty

CERTIFICATIONS



Max 20 Watts

LISTED File # E466348



Max 20 Watts

LISTED File #E466348