

PRODUCT SPECIFICATIONS



Project Name _____ Date _____

Type or Model _____ Qty _____

Model # _____ Prepared By _____

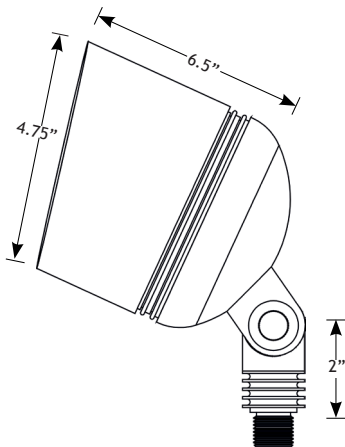
VOLT® Low Voltage Landscape Lighting Big PAR Flood Light

Product Description

The Big PAR flood light is a solid outdoor lighting flood light that is built with longevity in mind. Perfect for any flood application. Premium internal components, solid brass body, and completely sealed. Use to throw a flood of light on larger applications like large walls, signs, tress, etc. This fixture will not disappoint!



Product Dimensions



Specifications

- ▶ **Construction:** Solid Cast Brass
- ▶ **Finish:** Bronze
- ▶ **Lead Wire:** 48" (standard) or 25' (optional) 16AWG, SPT-2 premium tinned copper
- ▶ **Glass or Lens:** Clear glass
- ▶ **Light Source (not included):** PAR36 (LED or Halogen)
- ▶ **Maximum Lamp Rating:** 35W
- ▶ **Operating Voltage:** 12V AC
- ▶ **Powered by:** VOLT's Low Voltage Transformer

Features & Benefits

- ▶ Solid Brass or Copper Construction.
- ▶ Pre-aged finish; no powder coating, paint or finish to wear off or peel—just natural patina that does not corrode.
- ▶ Beryllium copper socket - more corrosion resistant than copper.
- ▶ Silicone plug at lead wire exit prevents ground moisture and insects from entering luminaire through the stem.
- ▶ Water Tight Double Silicone O-Ring - keeps water from entering luminaire.
- ▶ Convex Lens - keeps water from pooling on the face of the lens.
- ▶ Extra-long (1-inch) strip resistant threading and solid brass locknut provide superior mounting stability.
- ▶ Heavy duty adjustable knuckle

Warranty

VOLT Lifetime Warranty

Certifications



LISTED File #E466348



VOLT® Low Voltage Landscape Lighting Big PAR Flood Light

Lamp Options

Item Number	Description	Power Supply Requirement
PAR36-5W-35	LED 5W (20W Equivalent) PAR36 35° (standard)	6.72 VA
PAR36-5W-60	LED 5W (20W Equivalent) PAR36 60° (wide)	6.72 VA
PAR36-9W-35	LED 9W (35W Equivalent) PAR36 35° (standard)	12 VA
PAR36-9W-60	LED 9W (35W Equivalent) PAR36 60° (wide)	12 VA
PAR36-13W-35	LED 13W (50W Equivalent) PAR36 35° (standard)	14.4 VA
PAR36-13W-60	LED 13W (50W Equivalent) PAR36 60° (wide)	14.4 VA
8P3625	Halogen 20W PAR36 32° (standard)	20W
8P3625	Halogen 35W PAR36 32° (standard)	35W

Accessories

Item Number	Description
9C-AB	VOLT's Hammer Stake with Solid Brass Top Cover
9SM-AB	Surface Mount - Brass with Bronze Finish
9TRIDENT8	8" Brass Trident Stake with Bronze Finish
9BRASSSTAKE	Brass Stake
9HAMMERSTAKE13	13" XL Hammer Stake
9R-BRASS-RISER-P-1	Solid Brass Extension Pole 6"
9R-BRASS-RISER-P-2	Solid Brass Extension Pole 12"
9R-BRASS-RISER-P-3	Solid Brass Extension Pole 24"

Ordering Information

Example: Order # 450-48

450	-48
Product Family	Wire Length
450= Ground Hog PAR 36 Well Light	48 = 48" 25 = 25'