

PRODUCT SPECIFICATIONS

Project Name _____ Date _____



Type or Model _____ Qty _____

VOLT® Low Voltage Landscape Lighting

VOLT® Customizable Cast Brass Up/Down Sconce- VHS-650-R1

PRODUCT DESCRIPTION

Constructed from solid brass with a durable black powder-coated Onyx finish, this fixture is built for long-lasting performance and can withstand harsh outdoor conditions thanks to its completely watertight design.

The 2" mounting bracket allows for versatile installation on various surfaces, including lanai cage posts. Use up to two (2) LED MR16 bulbs to provide simultaneous up- and down-lighting, creating a functional and inviting atmosphere.

With 16 customizable configurations, this sconce offers a variety of lighting options and aesthetic choices to fit your specific design needs. Customize your fixture with the following options:

- ▶ **Unidirectional Top:** Original top, brass with black finish
- ▶ **Lanai Tube Top:** Heavy frosted plastic lens, brass with black finish
- ▶ **Glow Tube Top:** Heavy frosted plastic lens, brass with black finish
- ▶ **Non-Emitting Cap:** Brass with black finish

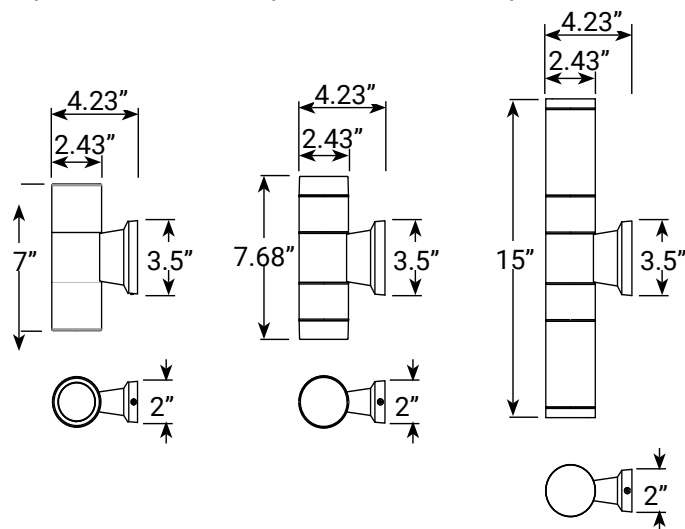


PRODUCT DIMENSIONS

Optional Lens 1

Optional Lens 2

Optional Lens 3



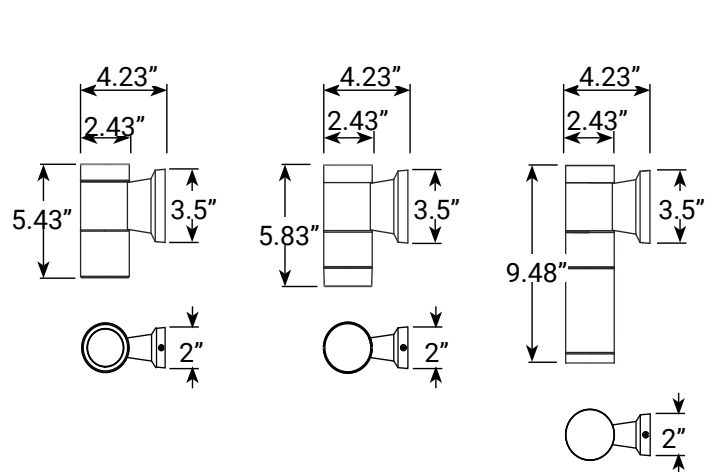
PRODUCT DIMENSIONS

Fixture Options

Option 4

Option 5

Option 6



PRODUCT SPECIFICATIONS

Project Name _____ Date _____



Type or Model _____ Qty _____

FEATURES & BENEFITS

- Solid Brass Construction.
- Onyx finish easily blends into any landscape while providing marine and aircraft-grade protection against the harshest of elements.
- Customizable top and bottom pieces allow 16 different unique combinations to fit your design needs
- 25' 18-gauge lead wire
- Uses up to (2) MR16 bulbs (sold separately)
- 2" mounting bracket allows for more mounting solutions, including lanai cage posts
- Beryllium copper sockets offer more corrosion-resistance than regular copper
- Sockets are pre-greased with dielectric grease
- Silicone plug where lead wires exit fixture prevents moisture and insects from entering fixture
- Lens is flush with fixture so water cannot puddle
- Completely watertight, with a rubber pressure gasket and rubber seal around wire exit
- Heat-shrink tubing over internal splice
- UL braided sleeve protector

SPECIFICATIONS

- **Construction:** Brass
- **Finish:** Black
- **Lead Wire:** 25ft, 18 AWG
- **Light Source:** MR16
- **Operating Voltage:** 12VAC
- **Powered by:** VOLT's Low Voltage Transformer

WARRANTY

Lifetime Warranty

CERTIFICATIONS



Max 35 Watts
File # E466348



Max 35 Watts
File #E466348