

PRODUCT SPECIFICATIONS

Project Name _____ Date _____



Type or Model _____ Qty _____

VOLT® Low Voltage Landscape Lighting

VOLT® RGBW Mini Integrated LED In-Ground Light -VHS-6727

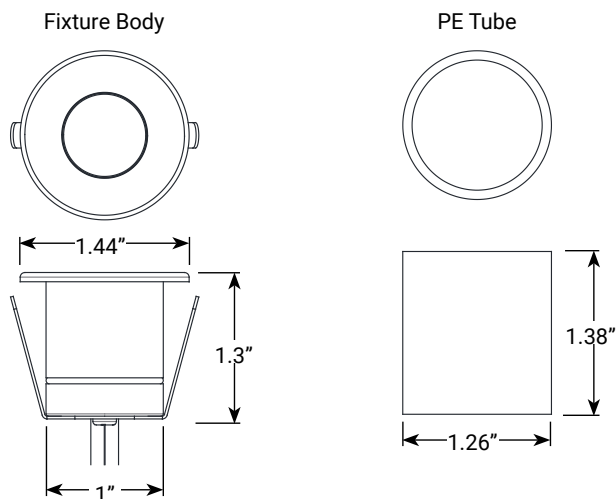
PRODUCT DESCRIPTION

Designed for marking paths or highlighting specific areas without overpowering surroundings, this RGBW mini integrated LED in-ground light features a discreet-low profile design that measures only 1" in width (1.25" with PVC sleeve). The frosted lens softens the light output making it ideal for decks, floors, steps, and other low-light applications where indication is preferred over illumination.

Built for lasting durability, this marker light features a solid brass construction with a pre-aged bronze finish that will naturally patina with age. The integrated color-changing LED offers a spectrum of customizable options for your space, effortlessly accessible with the VOLT® RGBW Remote Control (sold separately).



PRODUCT DIMENSIONS



SPECIFICATIONS

- **Construction:** Brass
- **Finish:** Bronze
- **Lead Wire:** 18 AWG
- **Lens:** Frosted
- **Light Source:** Integrated
- **Operating Voltage:** 12VAC
- **Powered by:** VOLT's Low Voltage Transformer

WARRANTY

Lifetime Warranty

CERTIFICATIONS



LISTED File # E466348



LISTED File #E466348

FEATURES & BENEFITS

- Solid Brass Construction.
- Color-changing integrated LED light source designed for subtle indication lighting.
- Frosted lens provides a more soft, diffused light.
- Requires VOLT® RGBW Remote Control for color modes (sold separately). One remote controls all VOLT® RGBW fixtures.