

## PRODUCT SPECIFICATIONS

Project Name \_\_\_\_\_ Date \_\_\_\_\_



Type or Model \_\_\_\_\_ Qty \_\_\_\_\_

# VOLT® Low Voltage Landscape Lighting

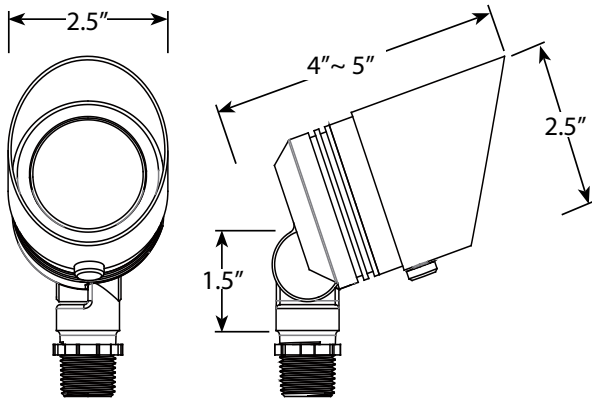
## VOLT® Solar Kit Spotlight- VSAL-9001-25-BBZ

### PRODUCT DESCRIPTION

This brass spotlight is designed specifically for the VOLT® solar landscape lighting kits. Ideal for accenting small trees and bushes, statuary, and architectural features. A solid brass construction and premium-grade components with water-tight features enable this fixture to last a lifetime. A lot of lumen values in the market are not accurate and therefore are a false comparison. On a full charge, this fixture will last from 16-22 hours each night (varies with type of kit and charging) starting at 200 lumens and gradually diminishing from there. These lumen values are tested in a state of the art laboratory and are verifiably accurate. Adjustable glare guard allows for glare control and a toothless knuckle allows for precision aiming. The fixture carries a Lifetime Warranty just like all of our other brass fixtures. This brass fixture is sure to outlast any traditional solar landscape lighting systems on the market today.



### PRODUCT DIMENSIONS



### FEATURES & BENEFITS

- With a full charge, this fixture will last 16-22 hours each night starting at 200 lumens and gradually diminishing from there.
- Water shedding lens that keeps water from pooling on the faceplate.
- Adjustable glare guard allows for glare control and a toothless knuckle allows for precision aiming.
- Comes with water tight gasket to prevent water from entering the fixture
- This is a 3W, 2700K fixture

### SPECIFICATIONS

- **Construction:** Brass
- **Finish:** Bronze
- **Mounting:** 10" Hammer Stake
- **Lead Wire:** 20AWG
- **Light Output:** 200 lumens that gradually diminish as the batteries drain
- **Lens:** Clear Glass
- **Light Source:** Integrated LED (40,000 hr lifespan)
- **Powered by:** VOLTS solar panel

### WARRANTY

Lifetime on Fixture

### CERTIFICATIONS



LISTED File # E466348



LISTED File #E466348