



# VOLT® Low Voltage Transformers

## Multi-Tap Transformers

### Product Description

The low voltage transformer is at the heart of every landscape lighting system. It converts the 120 volt current to a low voltage current (between 12 & 15 VAC). The efficiency of this conversion determines how well the transformer controls the voltage output, and how much energy is consumed in the process.

VOLT® transformers are the most efficient multi-tap low voltage transformers in the industry, providing high performance and energy savings. With high quality toroidal cores and robust wiring and internal components, these transformers provide a highly stable source of current with very low energy consumption. Use of VOLT® transformers ensure that the low voltage landscape lighting system runs at optimal efficiency for a lifetime of operation.



### Specifications

- ▶ **Housing:** Non-brushed 304 stainless steel with removable cover
- ▶ **Power Cord:** 60" black 18AWG SJTW cord and plug set
- ▶ **Input Voltage:** 120V
- ▶ **Voltage Taps:**
  - All models: 12VAC, 13VAC, 14VAC, 15VAC
- ▶ **Primary Circuit Protection:** Automatic (auto reset) thermal breaker in core
- ▶ **Secondary Circuit Protection:**
  - (1) 25A magnetic circuit breaker (300W)
  - (2) 25A magnetic circuit breakers (600W)
  - (3) 25A magnetic circuit breakers (900W)
  - (4) 25A magnetic circuit breakers (1200W)

### Features & Benefits

- ▶ Highly efficient toroidal core\* - runs cooler, generates less noise, with less voltage loss under load.
- ▶ Unique color-coded wire markers for easy maintenance and troubleshooting.
- ▶ Extra-large 12V to 15V taps (UL 1838 listed) - to accommodate landscape lighting systems of any size.
- ▶ Available in 300W, 600W, 900W & 1200W capacities.
- ▶ Stainless steel body with hinged lid.
- ▶ 300W, 600W, 900W and 1200W include a photocell and timer receptacle.
- ▶ Magnetic circuit breakers; auto reset integrated thermal breaker (in core).
- ▶ Listed for both indoor and outdoor use.

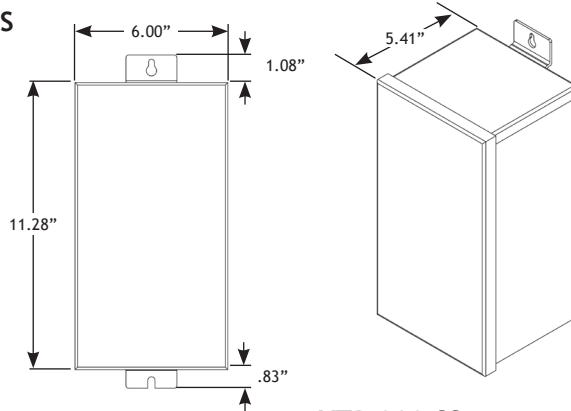
### Warranty

Lifetime Warranty

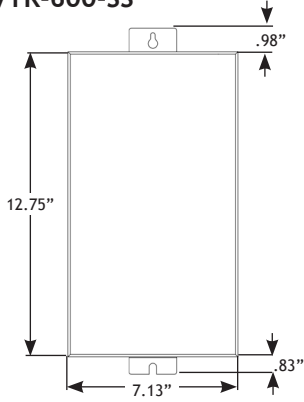


Product Dimensions

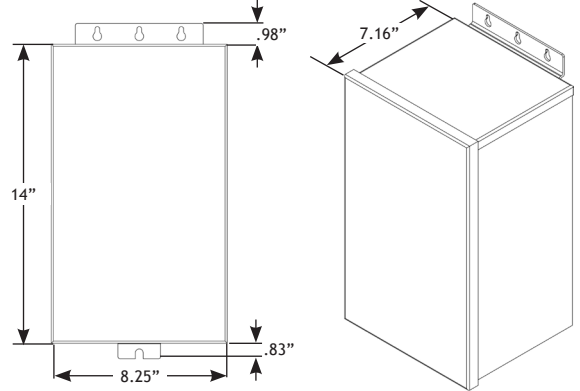
VTR-300-SS



VTR-600-SS



VTR-900-SS



VTR-1200-SS

