

PRODUCT SPECIFICATIONS

Project Name _____ Date _____



Type or Model _____ Qty _____

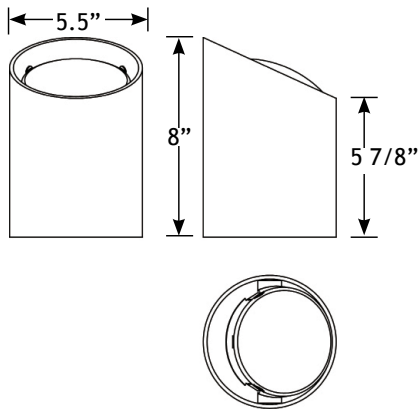
VOLT® Low Voltage Landscape Lighting

VOLT® Commercial PAR36 Well Light- VWL-500

PRODUCT DESCRIPTION

Redesigned with a flatter, more modern lens and drive-over rated louvers, the Commercial PAR36 well light sets the standard of durability that's sure to complement your landscape. With the ability to move the bulb up and down, or even be angled within the housing, this fixture provides customization over angle and beam spread making it perfect for various uplighting needs. Versatile enough to be installed in turf or mulch beds, this fixture's low-profile design keeps it hidden, but results in highly effective lighting due to the use of a LED PAR36 bulb (sold separately).

PRODUCT DIMENSIONS



FEATURES & BENEFITS

- Optional debris cover for bulb protection
- PVC tube reversible for flat or angled glare guard
- Stainless steel adjustable lamp holder and lens holder

SPECIFICATIONS

- **Construction:** Reversible PVC Tube
- **Finish:** Black
- **Lead Wire:** 18 AWG
- **Lens:** Clear tempered glass
- **Light Source:** PAR36
- **Operating Voltage:** 12VAC
- **Powered by:** VOLT's Low Voltage Transformer

WARRANTY

Lifetime Warranty

CERTIFICATIONS

