



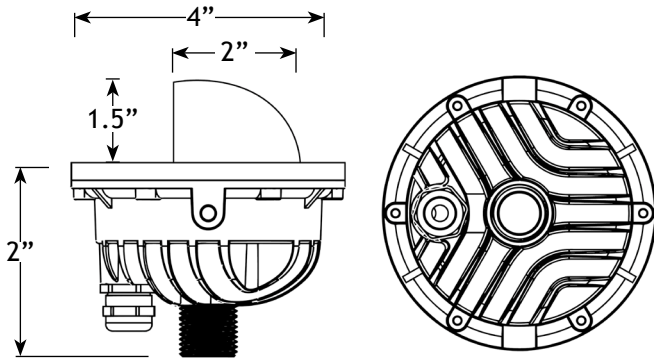
VOLT® Low Voltage Landscape Lighting

VOLT® Salty Dog LED In-Grade Light (Beacon Top)

Product Description

This redesigned in-grade light has several improved features. This fixture is made from cold forged brass, making it the ultimate underwater fixture. This version comes with a Beacon top which provides added glare protection and makes this fixture a great dock or pathway light. The beacon top effectively transforms this heavy duty waterproof fixture into a marker light to help people find their way in the dark. The benefit of this over the turret top version is that the beacon is directional, so you can use it on the edge of a pathway and shine it in a singular direction if you would prefer to. It also has a pressure fit gasket that creates a tight seal keeping water out of the internal housing. Newly designed wire glands prevent water from getting into the fixture at one of the most common points of failure. This in-grade light has also been remodeled for improved heat dissipation and the latest integrated LED technology.

Product Dimensions



Features & Benefits

- ▶ Cold Forged brass faceplate for maximum durability.
- ▶ Raised lens to prevent water from puddling.
- ▶ Pressure fit gasket (must be tightened in a star pattern).
- ▶ Completely water tight & fully submersible.
- ▶ Water tight wire gland.
- ▶ Efficient heat dissipation.
- ▶ Beacon top for added glare protection and directional light aiming



Specifications

- ▶ Construction: Brass
- ▶ Finish: Bronze
- ▶ Lead Wire: 18AWG
- ▶ Lens: Clear Flat Glass
- ▶ Light Source: Integrated LED
- ▶ Light Output: 150 Lumens
- ▶ Color Rendering Index (CRI): 80+
- ▶ Life: 60,000 hr L70
- ▶ Operating Voltage: 12V
- ▶ Powered by: VOLT's Low Voltage Transformer
- ▶ Torque Setting: 1.5 ft. lbs.

Warranty

Lifetime Warranty

Certifications

