



AMP® LED Lamps

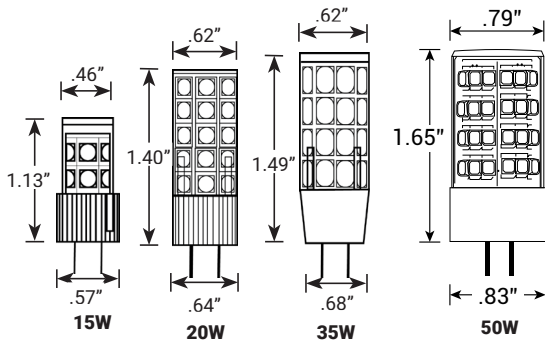
G4 LED Bi-Pin (Leafy Green)

Product Description

AMP®'s colored LED G4 Bi-Pin bulbs are designed specifically for landscape lighting applications where vibrant, balanced color is desired. True-to-color LEDs create rich, colorful illumination that can add a unique design element to any landscape setting. Due to their omnidirectional light distribution, G4 Bi-Pin bulbs are most commonly used in path & area lighting fixtures. Engineered to withstand the elements, each bulb is fully-encapsulated to prevent moisture intrusion and is backed by a Lifetime Warranty. With multiple color options available, you can select the color that's best suited for your application.



Product Dimensions



Specifications

- ▶ **Input Voltage, Frequency:** 11-18V, 50/60Hz AC- Will operate from 8-16V with decreased lumen output below 11V.
- ▶ **Beam Angles:** Omni-Directional
- ▶ **Lumen Output / Efficiency:**
 - 1.4W (15W equiv.) Models: 115 lm
 - 2W (20W equiv.) Models: 216 lm
 - 2.4W (35W equiv.) Models: 285 lm
 - 3W (50w equiv.) Models: 375 lm
- ▶ **Nanometers:** 520-540 nm
- ▶ **Life:** 30,000 hours (L70)

Features & Benefits

- ▶ Replacements for:
 - 15W, 20W, 35W, 50W LED Bi-Pins
 - Omni Directional beam angles
- ▶ Reduces energy consumption by about 75%
- ▶ Lasts up to 8 times longer than halogen lamps
- ▶ No warm-up time, instant-on with full light output and stable lamp to lamp color
- ▶ Suitable for use in enclosed fixtures

Warranty

Residential: Lifetime Warranty
 Commercial: 10-Year Warranty